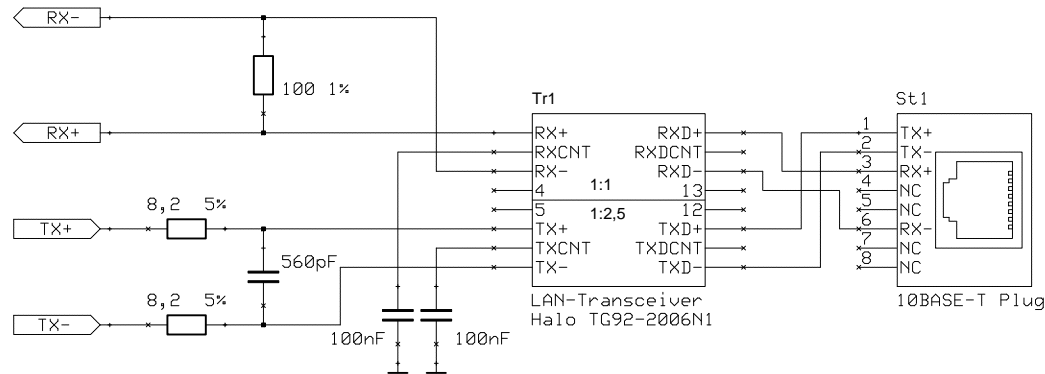
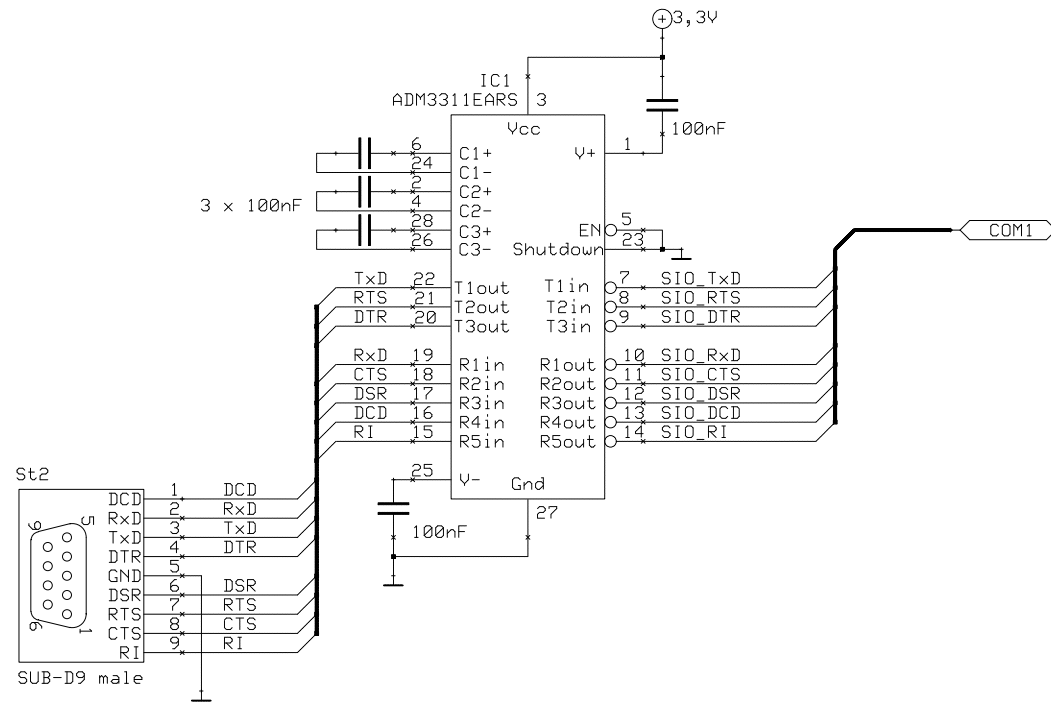


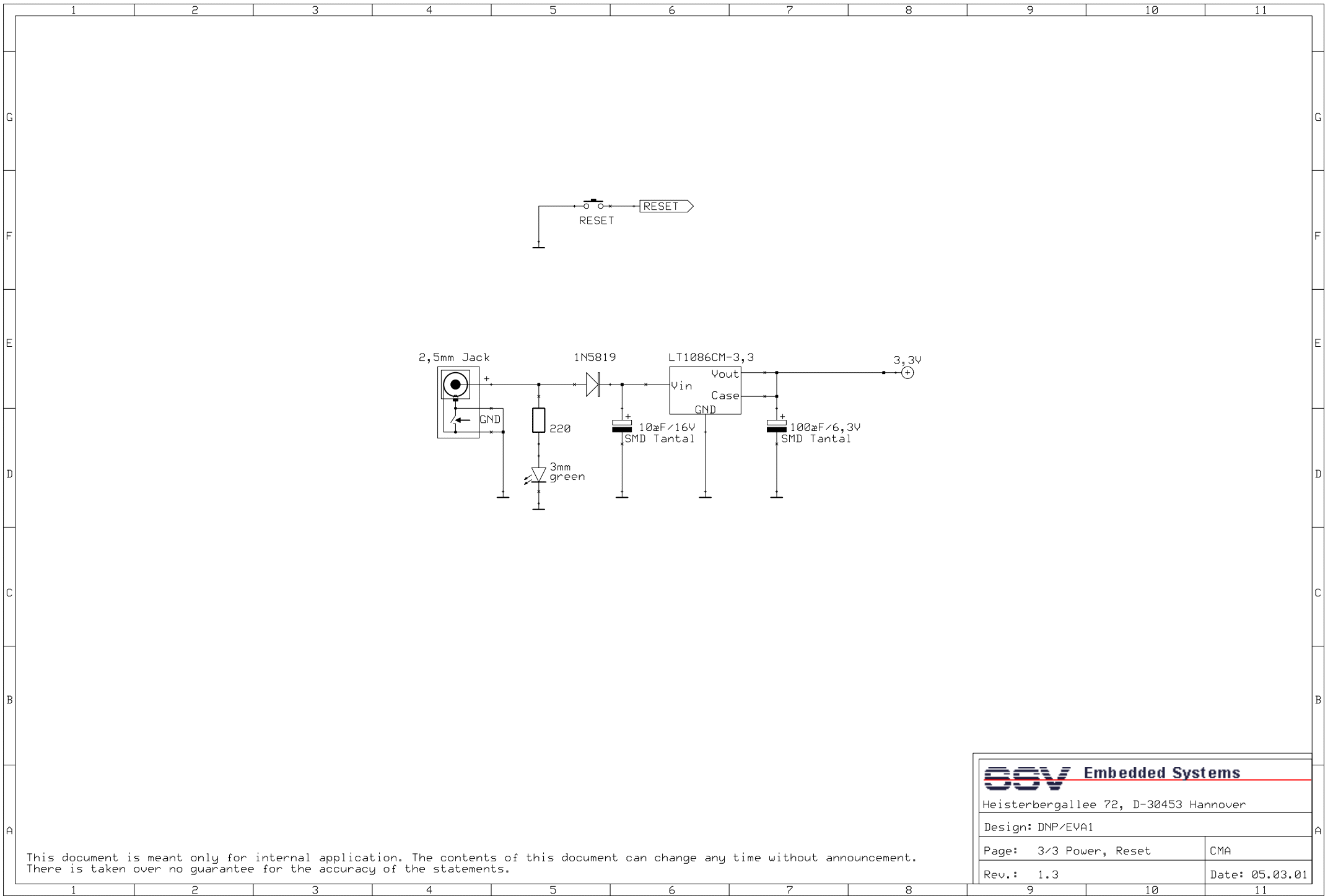
This document is meant only for internal application. The contents of this document can change any time without announcement. There is taken over no guarantee for the accuracy of the statements.

<b>ESV Embedded Systems</b>	
Heisterbergallee 72, D-30453 Hannover	
Design: DNP/EVA1	
Page: 1/3 LEDs, DIP-Switchs	CMA
Rev.: 1.3	Date: 05.03.01



This document is meant only for internal application. The contents of this document can change any time without announcement. There is taken over no guarantee for the accuracy of the statements.

<b>ESV Embedded Systems</b>	
Heisterbergallee 72, D-30453 Hannover	
Design: DNP/EVA1	
Page: 2/3 LAN, COM1	CMA
Rev.: 1.3	Date: 05.03.01



This document is meant only for internal application. The contents of this document can change any time without announcement. There is taken over no guarantee for the accuracy of the statements.

<b>ESV Embedded Systems</b>	
Heisterbergallee 72, D-30453 Hannover	
Design: DNP/EVA1	
Page: 3/3 Power, Reset	CMA
Rev.: 1.3	Date: 05.03.01