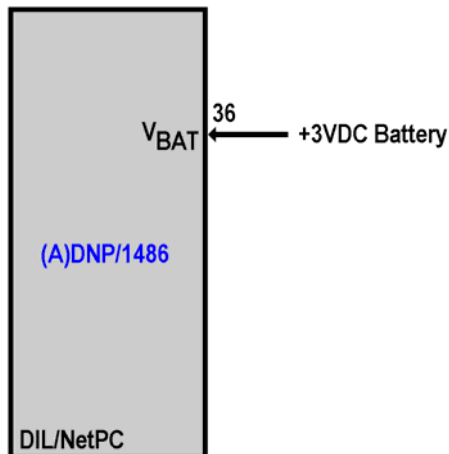


How to use the (A)DNP/1486 Real Time Clock with Linux

- **1. Step:** Make sure that you supply a +3 VDC battery voltage to pin 36 (Vbat – SC410 Real Time Clock Battery Input). Without this battery voltage the (A)DNP/1486 Real Time Clock is lost the current date and time if main power is off.



- **2. Step:** Execute the Linux **su** command for getting the superuser/administrator rights.

```
su
```

- **3. Step:** Execute the Linux **date** command with parameter **-s** and the current date and time. The format for date and time is **MMDDhhmmYYYY**. The following sample is valid for the date of 01.June 2002 and the time of 12:56.

```
date -s 060112562002
```

- **4. Step:** Execute the Linux **clock** command with parameter **-w**.

```
clock -w
```